



Underfloor Power Module Junction Box

MODEL: **PM - 4**

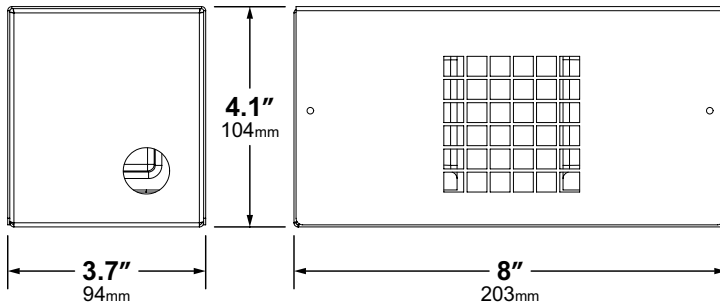
DESCRIPTION:

PM-4 (Power Module) is a 20 gauge (1mm) galvanized steel junction box for use in under floor air systems.

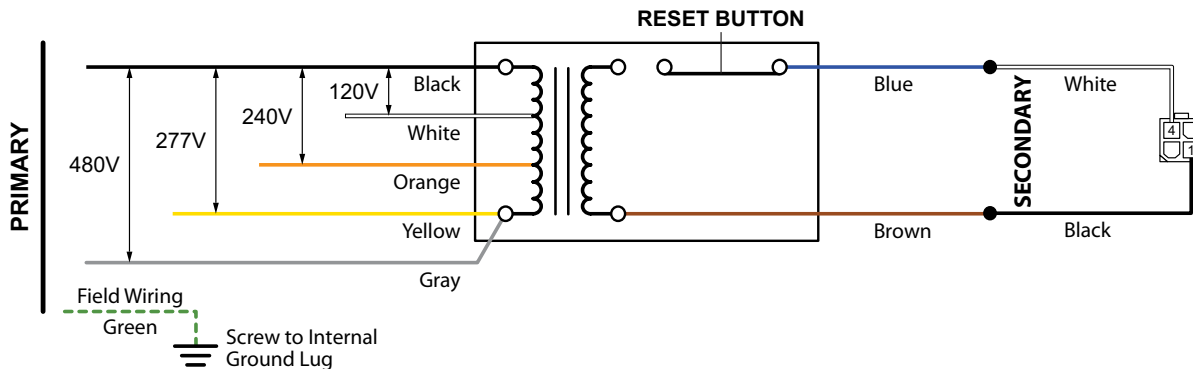
The control transformer installed in the junction box is rated at 96VA 120/277VAC to 24VAC. It is rated for supply air temperature from 45–120°F (7–49°C). A molex connection provides power chaining to under floor devices.

The transformer includes a built-in circuit breaker (4-Amp) to protect the circuit from overloading. This reset button is located on the exterior of the transformer, accessible through an opening in the steel housing.

The PM-4 is ETL Listed, fully certified to UL standards and approved for plenum use in UFAD application.



ALL DIMENSIONS NOMINAL +/- 0.1" (2.5mm)



SPECIFICATIONS:

Application: Underfloor Power Supply | Raised Access Floors 6" (152mm) +
Dimensions: 8" x 3.7" x 4.1" (203mm x 94mm x 104mm)
LxWxH (Nominal)