

Underfloor Air Tile (Variable Volume)

MODEL: AV2 - TA - CN

DESCRIPTION:

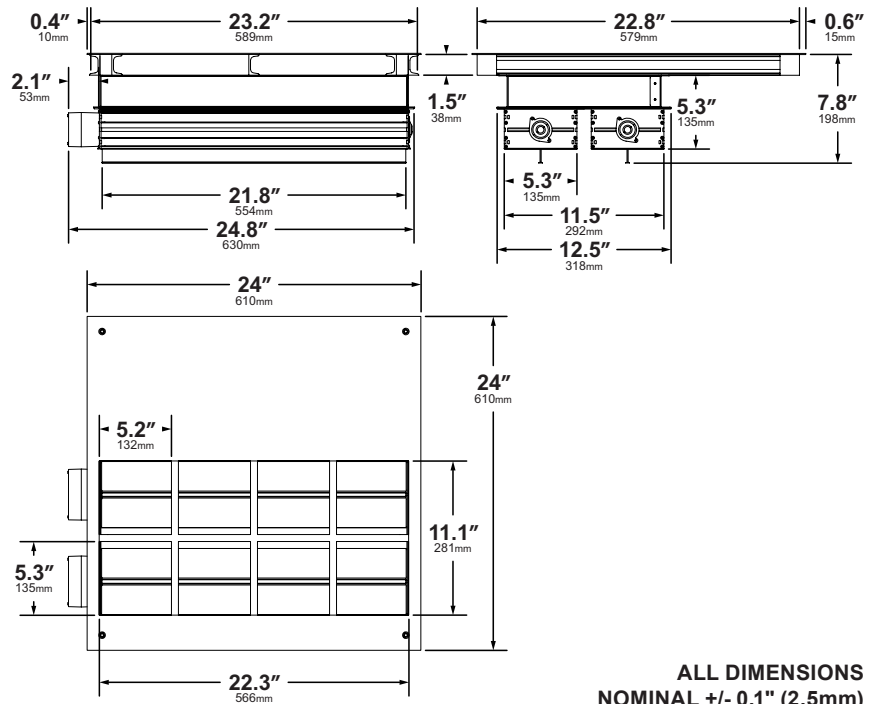
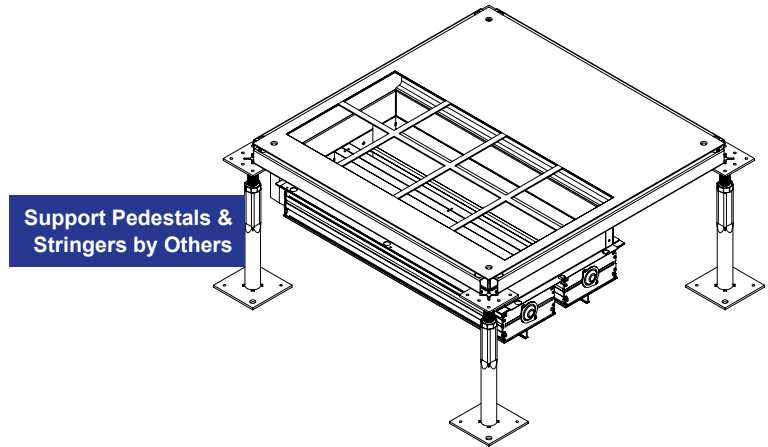
AV2-TA-CN (Dual Air Valve Tile Assembly) is a variable volume air terminal for use in raised floor air systems. It features 14 gauge (2mm) galvanized steel construction, powder-coated black.

The air valves use time modulation to vary total air supplied to a conditioned space. Air velocity is constant any time the valves are open; the short time duration between open/close cycles produces the effect of continuous air delivered to the occupied space. It is rated for 24V (18-30VAC) operation; one (1) PAP-1 and one (1) PAP-1J Plug & Play Cable are included.

The AV2-TA-CN is designed to replace a standard 24" x 24" (610mm x 610mm) raised access floor tile underneath a gaming table / machine in a casino installation.

FEATURES:

- Eliminates need to cut or modify existing raised access floor tiles
- Welded pre-painted galvanized steel
- DC synchronized magnetic motor
- Multi-function circuit board for varying control strategies



ALL DIMENSIONS NOMINAL +/- 0.1" (2.5mm)

SPECIFICATIONS:

- Application:** Underfloor Cooling | Raised Access Floors 8" (203mm) + Casino Installation (Underneath Gaming Machines)
- Dimensions:** 24" x 24" x 6.8" (610mm x 610mm x 173mm)
LxWxH (Nominal)
- Supply Press. / Temp.:** 0.02–0.1 in. w.c. (5–25 Pa) | 40–120°F (4–49°C)
- Capacity (Nominal):** 645 cfm @ 0.05 in. w.c. (1097 m³/hr @ 12.5 Pa)
- Noise Criterion:** ≤ NC-17 (All Flow Conditions)