



# INSTALLATION / OPERATION MANUAL

## Single Air Valve Tile Assembly (Variable Volume)

**MODEL: AV1 - TA - CN**

### TOOLS REQUIRED:

1. Power Screwdriver
  - Phillips #3 Bit - floor panel screws
2. Panel Lifter (Suction Cups) - remove floor panel

### MATERIALS REQUIRED:

1. AV1-TA-CN Single Air Valve Tile Assembly
2. Plug & Play Cable (PAP-1)
3. Floor Pedestals / Stringers (by others)

### PREPARATION:

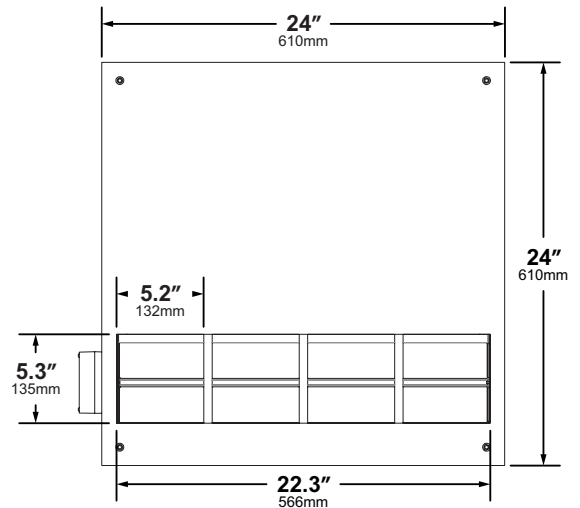
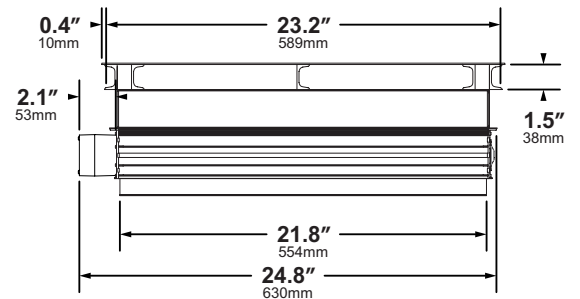
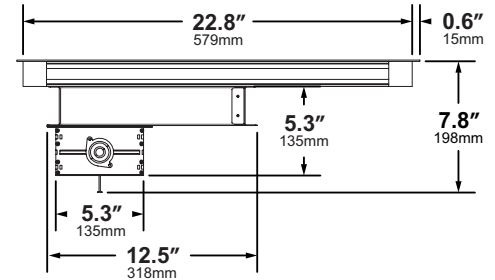
1. Verify that AV1-TA-CN is the correct model, unit count and location(s) per scheduled placement.
2. Remove floor covering (carpet tile) / floor panel at desired location(s) (if installed).
3. Verify that all adjacent floor panels are properly installed.

### INSTALLATION:



**IMPORTANT:** It is **HIGHLY RECOMMENDED** by the manufacturer that each zone be checked for faulty or improper wiring **DURING INSTALLATION**. Each zone should be tested thoroughly for full connectivity before proceeding with installation of the next zone. The manufacturer cannot be responsible for any improper installation as a result of failure to follow this procedure as outlined in the FlexSys Connectivity Testing Procedures.

The AV1-TA-CN is designed to replace a standard 24" x 24" (610mm x 610mm) floor panel that has been removed from a raised access floor. The air valve tile is then connected to a designated VAV operational zone with Plug & Play Cables.



REFER TO PAGE 2 FOR ADDITIONAL INFORMATION:  
INSTALLATION / OPERATION / MAINTENANCE

ALL DIMENSIONS NOMINAL +/- 0.1" (2.5mm)



# INSTALLATION / OPERATION MANUAL

## Single Air Valve Tile Assembly (Variable Volume)

MODEL:

**AV1 - TA - CN**

### INSTALLATION (CONTINUED):

**NOTE:** These instructions assume addition to an existing raised floor installation. If the AV1-TA-CN is being installed during raised floor installation, begin at Step #3.

1. Using a power screwdriver with a Phillips #3 hex bit, remove all floor panel screws.
2. Using panel lifter, remove floor panel.
3. Insert AV1-TA-CN into open section of raised floor. Make certain to orient air valve opening correctly per floor plan specifications.
4. Connect AV1-TA-CN to designated VAV operational zone, using Plug & Play Cables connected to molex inputs located on air valve actuator.
5. Confirm air valve operation – spin damper by hand to verify it is free to move. Incorrect routing of cables and other underfloor obstructions can interfere with operation.
6. Replace floor panel screws to secure AV1-TA-CN to floor pedestals.

### OPERATION:

Once installed, the AV1-TA-CN requires no direct input or adjustment for proper operation.

### MAINTENANCE:

Once installed, the AV1-TA-CN requires no regular service or maintenance for proper operation.

